



PIR Detectors

ITV-P-KC7783R

PIR Sensor Module Low Cost Version



Description

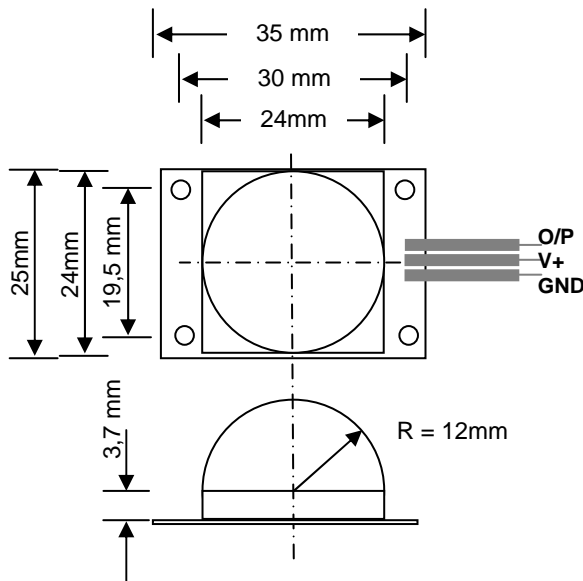
This PIR module is designed for human body detection. It is suitable for cost effective consumer products.

- Easy connection via 3 leads flat cable
 - Special output duration can be requested
 - Wide range of operation voltage
 - High RFI immunity
 - High sensitivity
 - Minimum output pulse can be customer specified
 - IC soft package by dice bonding technique
- Minimum output pulse can be customer specified.

Features

- detection angle** horizontal: 60° vertical: 60°
- detection range** 5 m
- sensor** RE200B (NICERA) dual element
- controller** KC778B (COMedia)
- use** indoor outdoor
- daylight adjust.** yes no
- output signal** digital (high) analog (+)
 digital (low) analog (-)
- power up delay** yes: 24 Sec. no
- lense included** yes (fresnel) no

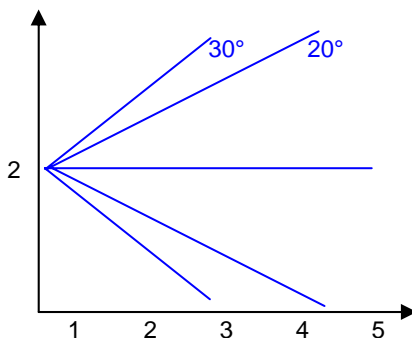
Mechanical Drawing



Operation Data

Value	min.	typ.	max.
operation current [mA]		n.n.	
standby current [mA]		0,3	
operation voltage [V]	4,7	5,0	12,0
output voltage high [V]		5,0	
output voltage (low) [V]	-	-	-
output duration [Sec]	0,5		
operation temperature [°C]	-20	20	50
humidity range [%]	0		95

Horizontal View Pattern



Vertical View Pattern

