



ITV-P-KC7786

PIR Sensor Module



Description

This PIR module is small sized especially designed for security application. The module can be manufacturer specified.

- Built in regulator and amplifier
- Open collector output
- Connection via 3 pin terminal of standard 1''pitch
- High immunity to RFI and line noise
- High sensitivity with special noise reduction

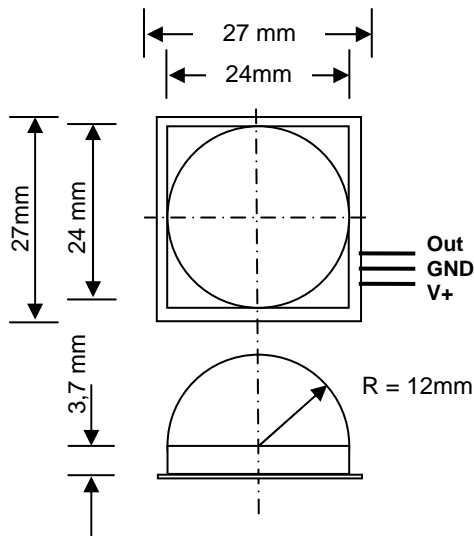
Typical application:

- automatic illumination system
- intruder alarm system

Features

- detection angle** horizontal: 100° vertical: 60°
- detection range** 5 m
- sensor** RE200B (NICERA) dual element
- controller** KC778B (COMedia)
- use** indoor outdoor
- daylight adjust.** yes no
- output signal** digital (high) analog (+)
 digital (low) analog (-)
- power up delay** yes: 25 sec no
- lense included** yes (fresnel) no

Mechanical Drawing



Operation Data

Value	min.	typ.	max.
operation current [mA]		0,6	
standby current [mA]		0,4	
operation voltage [V]	10	12	14
output voltage (high) [V]	-	-	-
output voltage (low) [V]		0,2	
output duration [Sec]	0,5		
operation temperature [°C]	-20		50
humidity range [%]	0		95

Horizontal View Pattern

n.n.

Vertical View Pattern

n.n.