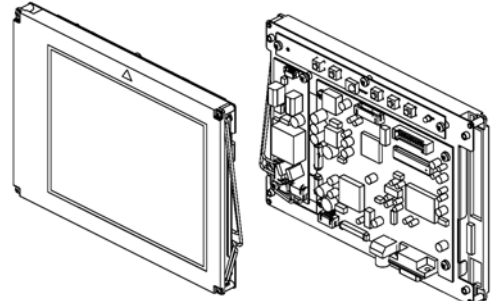


6.4" Digital TFT LCD Module

■ LP064V4PB0-FD



1. General Description

1.1 Features

- Analog Composite Video Input
- Analog VGA Input
- Analog R/G/B+TTL H-sync/V-sync
- IR Remote Controller (Option)
- OSD For User Interface
- Brightness/Contrast/RGB Picture Adjustment
- Image Reversion: Up/Down and Left/ Right
- Best Viewing Angel : 6 o'clock Direction

1.2 Applications

- Multimedia applications display
- AV system display

1.3 Application Precautions

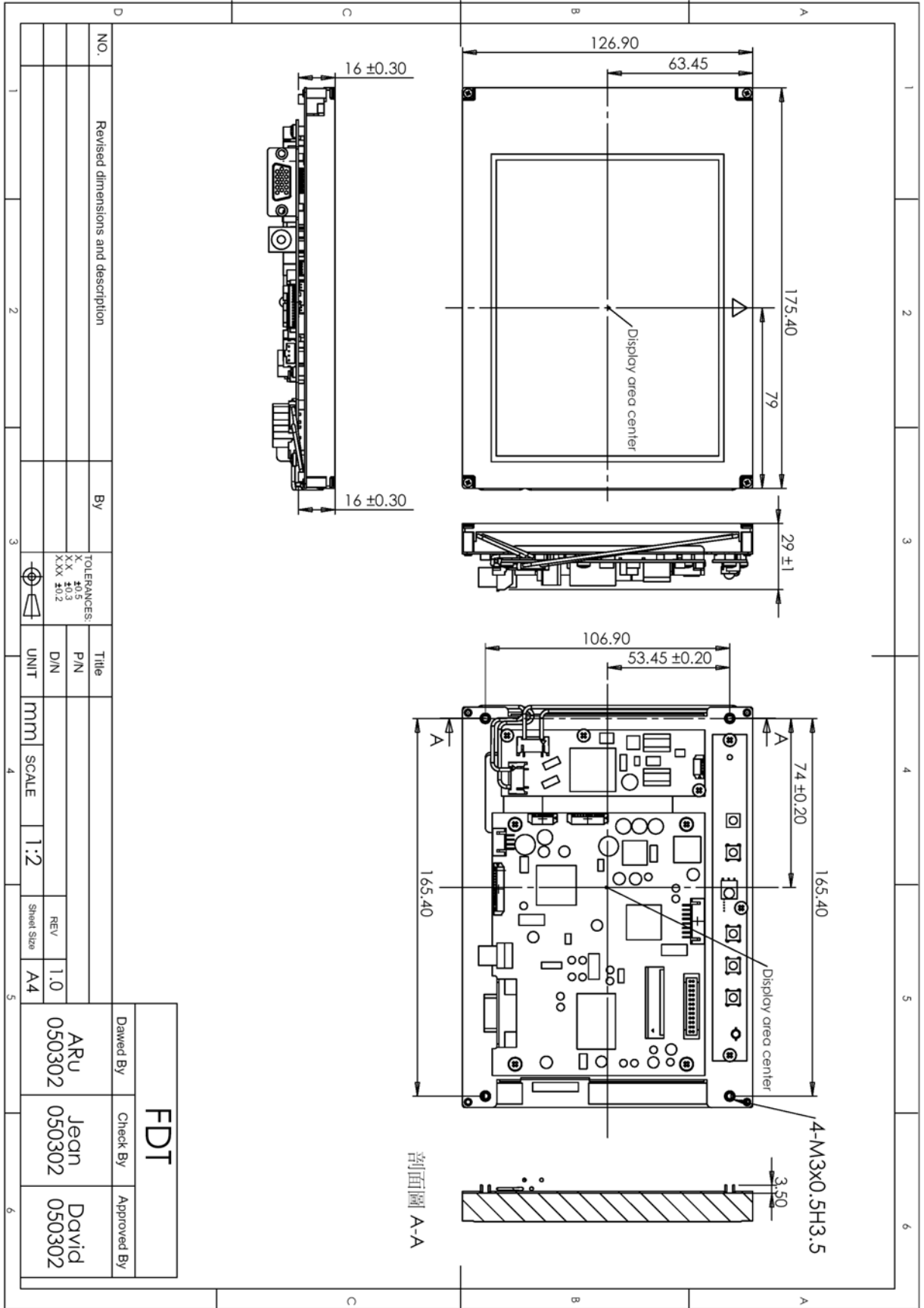
- To prevent fire or shock hazard, Do not expose this module to rain or Moisture.
- High voltage exists on the back light power lead of this module.
- Do not use the products herein for the following equipment, which demands extremely high performance in terms of functionality, reliability, or accuracy.
 - Aerospace equipment
 - Communications equipment for trunk lines.
 - Control equipment for the nuclear power industry.
 - Medical equipment related to life support, etc.
- The other application that demands high reliability and functionality should first contact a sales representative.

2. Contents

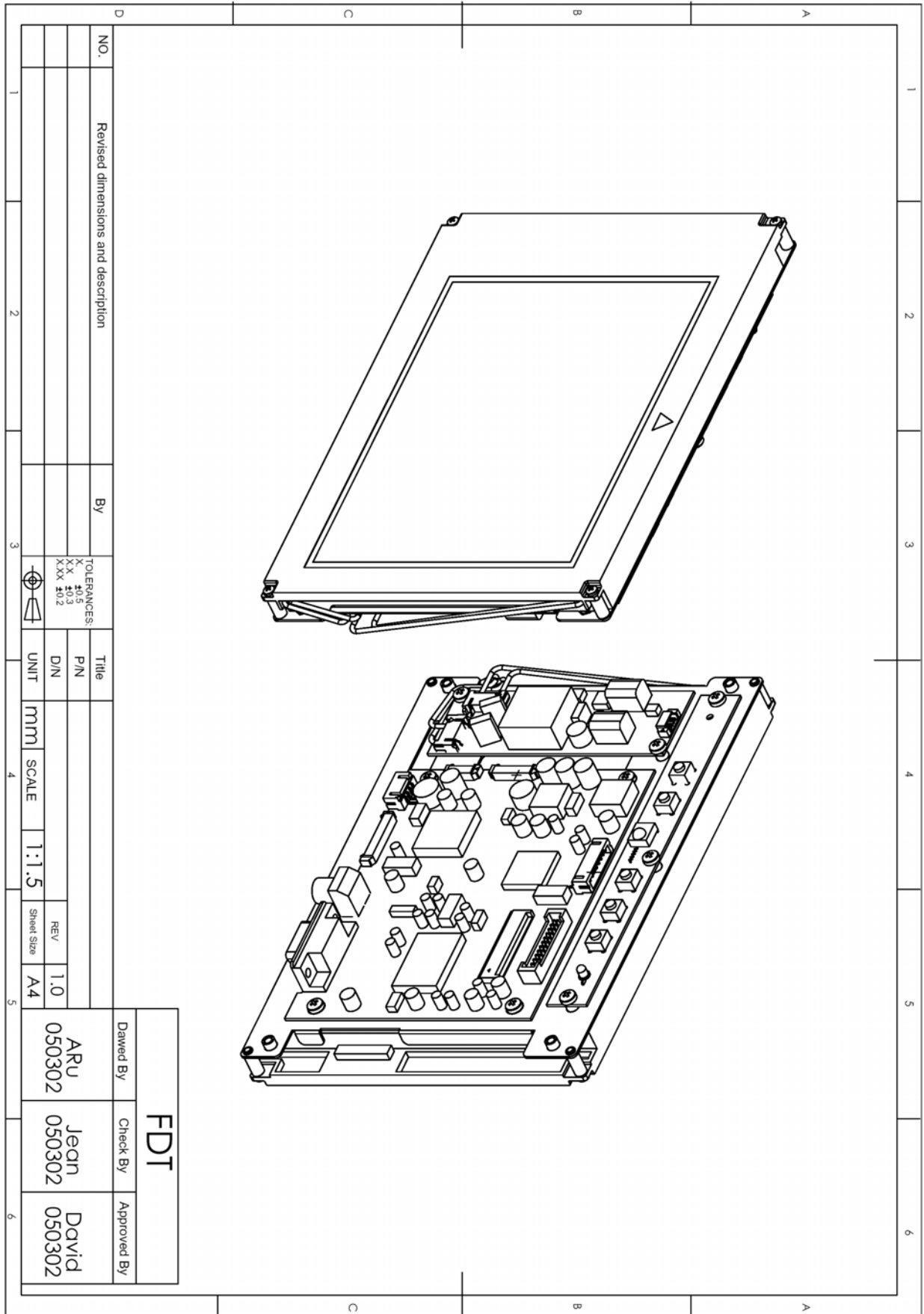
Contents	Page
1. General Description	1
1.1 Features	1
1.2 Application	1
1.3 Application Precautions	1
2. Contents	2
3. Module Dimension	3
3.1 Unit Mechanics	3
3.2 Unit Top / Bottom View	4
4. Electrical Characteristics	5
4.1 Absolute Maximum Ratings	5
4.2 Electrical Characteristics	5
5. Block Diagram	5
5.1 Block Diagram	5
6. Panel Specifications	6
6.1 Panel Specifications (PD064VT4)	6
7. Supported Graphics Modes	6
7.1 Supported Graphics Modes	6
8. Panel Dimension	7
8.1 Panel Dimension	7
9. Connector & Key Specifications	8
9.1 Connector Pin Descriptions	8
9.2 Key Specifications	8
10. Revision History	9
10.1 Record of Revision	9

3. Module

3.1 Unit Mechanics



5.2 Unit Top / Bottom View



NO.	Revised dimensions and description	By	TOLERANCES: X ±0.5 XX ±0.2 XXX ±0.2	Title	UNIT	SCALE	1:1.5	REV	1.0	Sheet Size	A4
				P/N	MM						
				D/N							

FDT		
Dawed By	Check By	Approved By
ARu 050302	Jean 050302	David 050302

4. Electrical Characteristics

4.1 Absolute Maximum Ratings

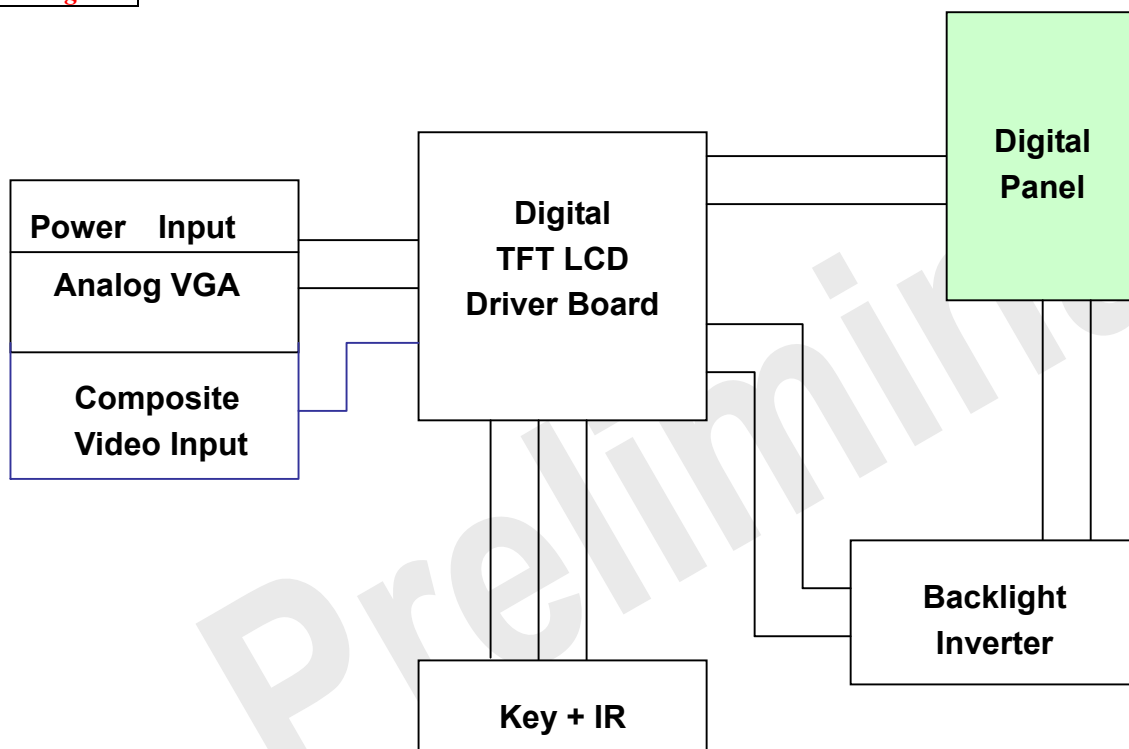
Parameter	Symbol	Min	Max	Unit
Supply Voltage	Vcc	+10	+14	V
Operating Temperature		-20	70	°C
Storage Temperature		-30	70	°C

4.2 Electrical Characteristics

Parameter	Symbol	Min	Tye	Max	Unit	Remark
Supply Voltage	Vcc	+10	+12	+14	V	
Module Current Dissipation			780		mA	
Module Standby Current Dissipation			TBD		mA	
Analog VGA R/G/B Input		0.55	0.7	0.9	Vp-p	@75Ω
Composite Video Input		-	1.0	-	Vp-p	@75Ω

5. Block Diagram

5.1 Block Diagram



6. Panel Specifications

6.1 Panel Specifications (PD064VT4)

Parameter	Specifications	Unit	Note
Screen Size	6.4 (Diagonal)	inch	
Display Format	640 x (R.G.B) x 480	dot	
Display Colors	262,144		
Active Area	129.6 (H) x 97.4(V)	mm	
Contrast Ratio	400		
Brightness	400	cd/m ²	
Viewing Angle Horizontal	± 60	deg	CR>10
Viewing Angle Vertical 12 o'clock	40	deg	CR>10
Viewing Angle Vertical 6 o'clock	55	deg	CR>10
Lamp Life Time	20,000	hr	hr

7. Supported Graphics Modes

7.1 Supported Graphics Modes

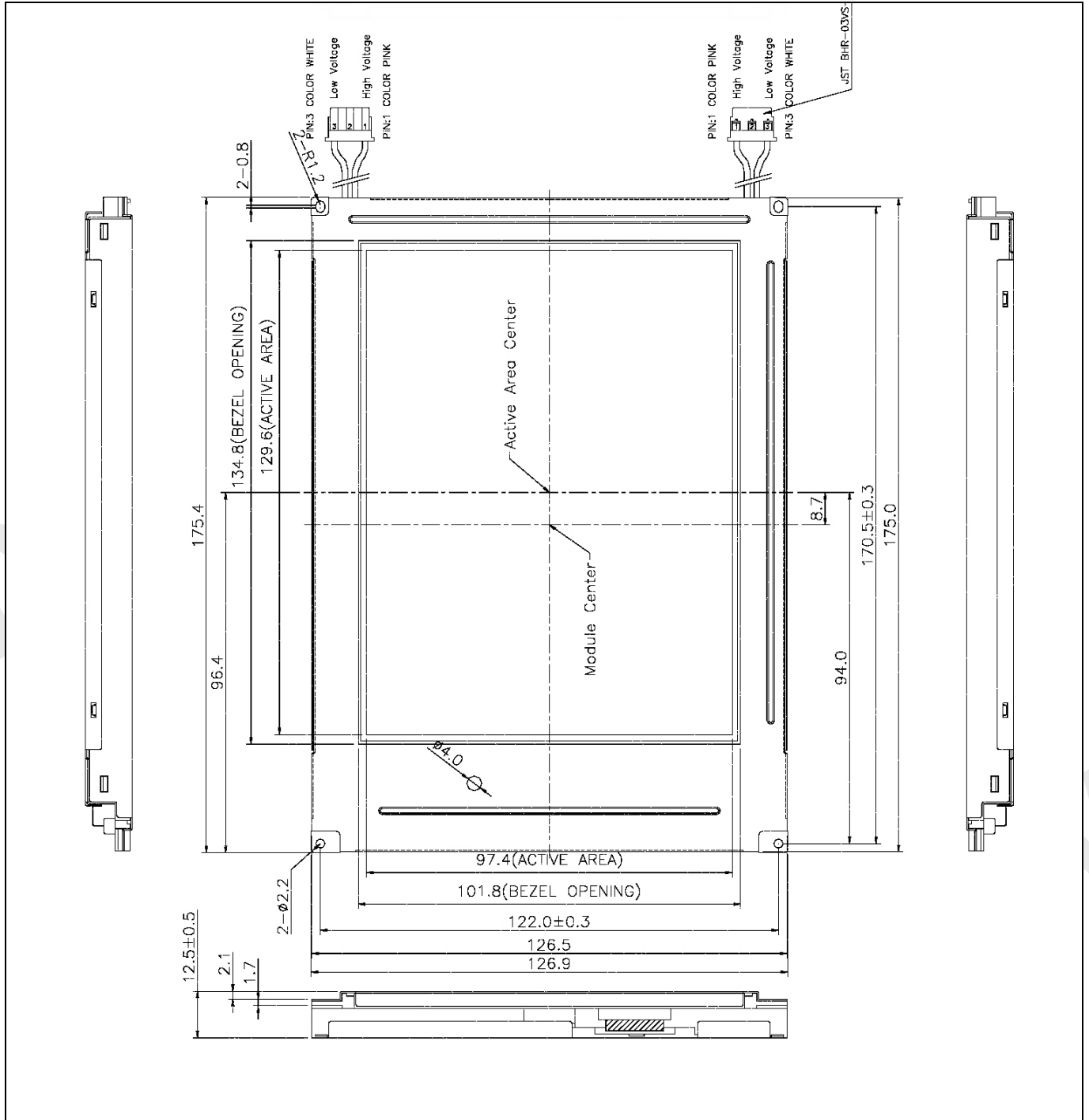
Resolution	Horizontal Sync	Vertical Sync	Note
720x350	31.47kHz	70Hz	Note1,2
720x400	31.47kHz	70Hz	Note1,2
640x480	31.47kHz	60Hz	Note3
800x600	37.88kHz	60Hz	Note1,2
1024x768	48.36kHz	60Hz	Note1,2

NOTE :

1. Scanning Up/Down process may be not full screen
2. Picture position may be not in screen center
- 3.Recommend display mode

8. Panel Dimension

8.1 Panel Dimension

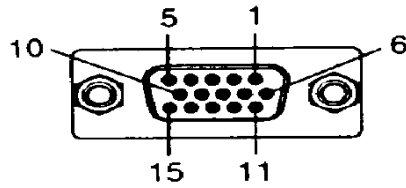


9. Connector & Key Specifications

9.1 Connector Pin Descriptions

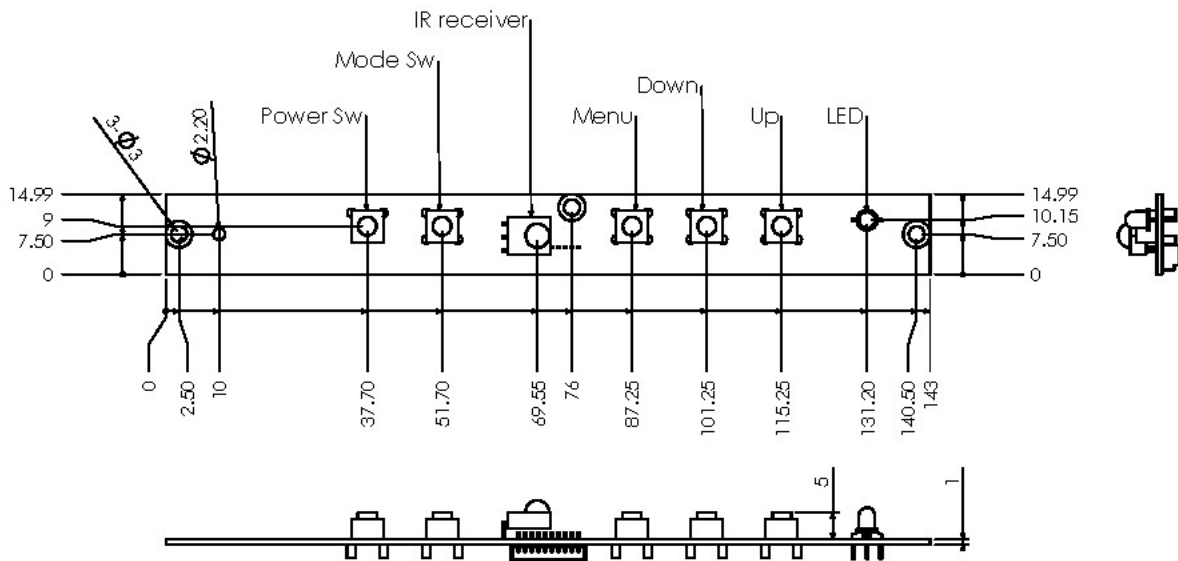
J401		
1	DC+12V	P/I
2	DC+12V	P/I
3	GND	
4	GND	

Connector Type:2.0mm-4pin



VGA1		
1	Analog Red Video	I
2	Analog Green Video	I
3	Analog Blue Video	I
4	-	
5	GND	
6	Analog - GND	
7	Analog - GND	
8	Analog - GND	
9	-	
10	-	
11	-	
12	-	
13	TTL Horizontal sync	I
14	TTL Vertical sync	I
15	-	

9.2 Key Specifications



■LP064V4PB0-FD

10. Revision History

10.1 Record of Revision

NO.	Date	Description	Page	Note
0.2	Jun.01.2005	· First draft (Tentative)	9	

Preliminary